



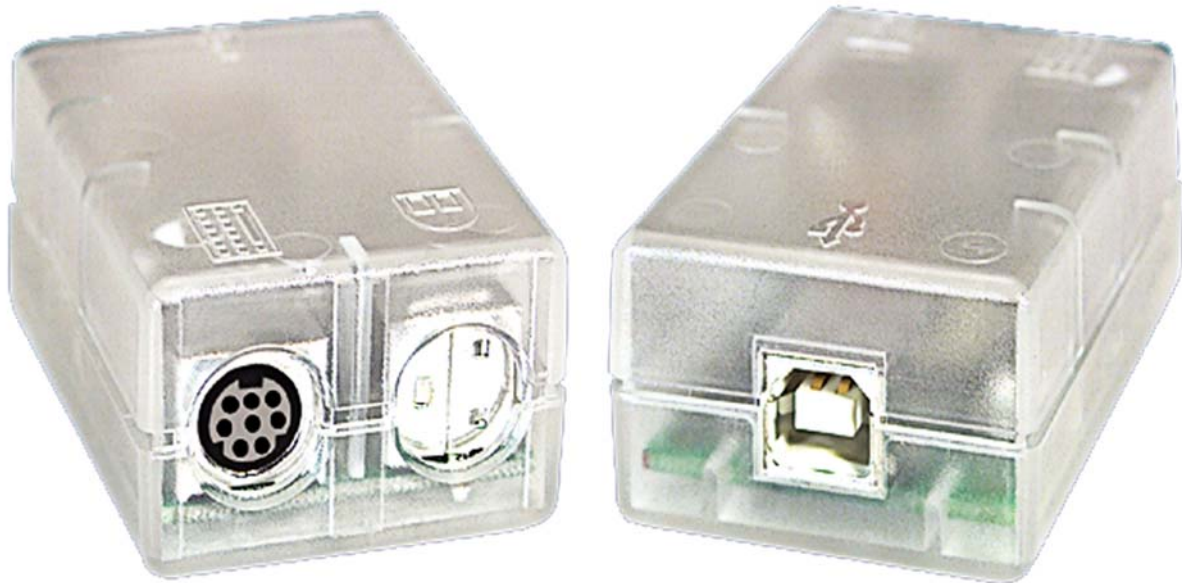
NTI® NETWORK
TECHNOLOGIES
INCORPORATED

1275 Danner Dr Tel:330-562-7070
Aurora, OH 44202 Fax:330-562-1999
www.networktechinc.com

USB-SUN

USB TO SUN ADAPTER

Installation Manual



COPYRIGHT

Copyright © 2001-2006 by Network Technologies Inc. All rights reserved. No part of this publication may be reproduced, stored in a retrieval system, or transmitted, in any form or by any means, electronic, mechanical, photocopying, recording, or otherwise, without the prior written consent of Network Technologies Inc, 1275 Danner Drive, Aurora, Ohio 44202.

CHANGES

The material in this guide is for information only and is subject to change without notice. Network Technologies Inc reserves the right to make changes in the product design without reservation and without notification to its users.

TABLE OF CONTENTS

Introduction.....	1
Applications	1
Installation	2
USB-SUN Adapter to NTI KVM Switch.....	2
Legacy SUN Keyboard/Mouse to USB SUN Adapter	3
Technical Specifications.....	4
Warranty Information	4

TABLE OF FIGURES

Figure 1- Connect NTI Universal or Matrix KVM Switch to a SUN CPU with a USB port.....	1
Figure 2- Connect a legacy SUN Keyboard/Mouse to a SUN CPU with a USB port	1
Figure 3- Connect USB-SUN to NTI Universal KVM Switch	2
Figure 4- End views of USB Type A and USB Type B male connectors.....	2
Figure 5- Connect USB-SUN to SUN CPU with USB port	3
Figure 6- Connect Legacy SUN Keyboard/Mouse to USB-SUN	3

INTRODUCTION

The NTI USB-SUN is a USB to SUN adapter that allows users to easily connect their SUN USB enabled CPU to an NTI Universal Multi-Platform (ST-xU) or Universal Matrix (ST-nXm-U) KVM Switch.

Materials supplied:

- 1 NTI USB-SUN Adapter
- 1 USB-AB-0,5M-5T USB Type A male -to-USB Type B male cable

Cable that may be required but is not supplied:

Application	NTI Cable
Connect adapter to NTI Universal Switch	SKTINT-xx-MM

Legend:

- xx is the length of the cable in feet.
- MM indicates male-to-male connector.

APPLICATIONS

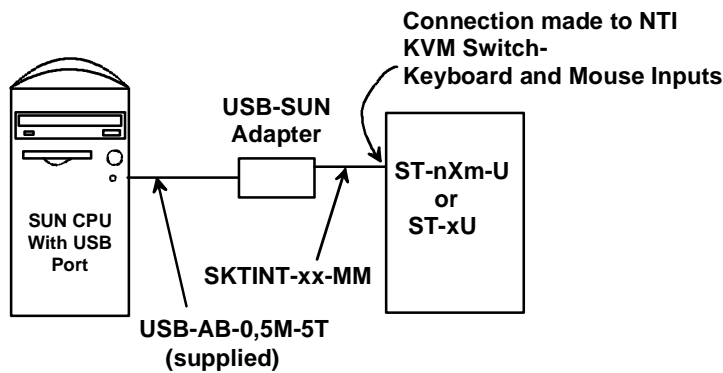


Figure 1- Connect NTI Universal or Matrix KVM Switch to a SUN CPU with a USB port

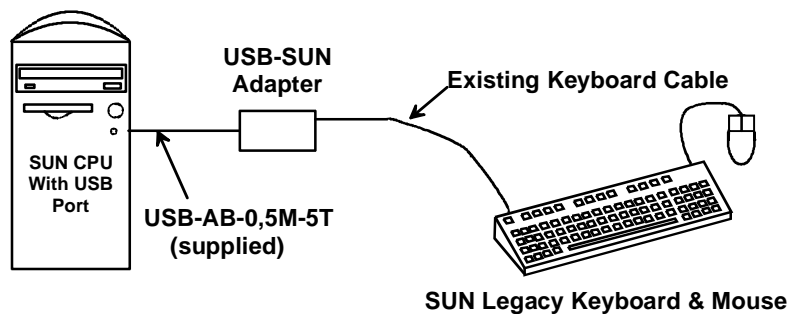


Figure 2- Connect a legacy SUN Keyboard/Mouse to a SUN CPU with a USB port

INSTALLATION

USB-SUN Adapter to NTI KVM Switch

When using the USB-SUN adapter to connect to an NTI KVM switch:

1. Connect one male 8 pin miniDIN end of an SKTINT-xx-MM cable to a female 8 pin miniDIN "Devices" input port on the NTI KVM switch being used (see Fig. 3). Switch the power ON to the KVM switch if it isn't already.
2. Connect the other male 8 pin miniDIN end of the SKTINT-xx-MM cable to the 8 pin miniDIN female port on the USB-SUN adapter.

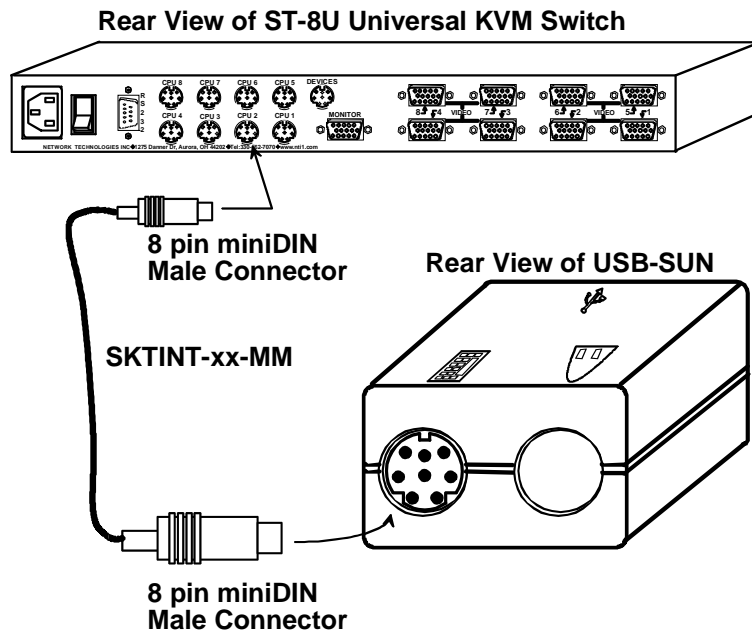


Figure 3- Connect USB-SUN to NTI Universal KVM Switch

3. Connect the USB type B male connector (see Fig. 4) of the USB-AB-0.5M-5T cable to the USB type B female port on the USB-SUN adapter.
4. Connect the USB type A male connector (see Fig. 4) of the USB-AB-0.5M-5T cable to a USB type A female port on the CPU. See Figure 5.

Note: It is important to make this connection last, particularly if the SUN CPU is already ON at the time of connection.

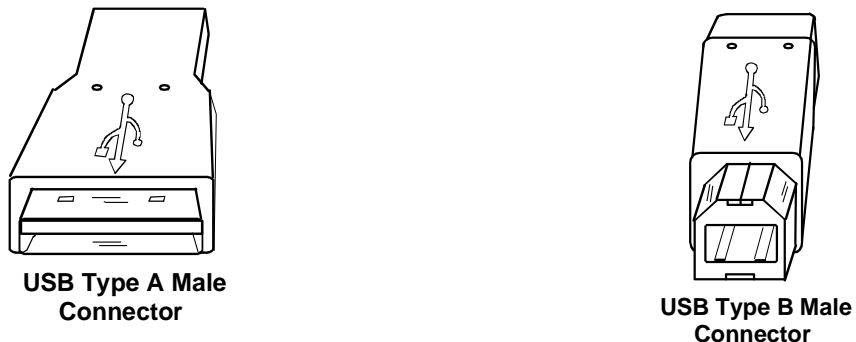


Figure 4- End views of USB Type A and USB Type B male connectors

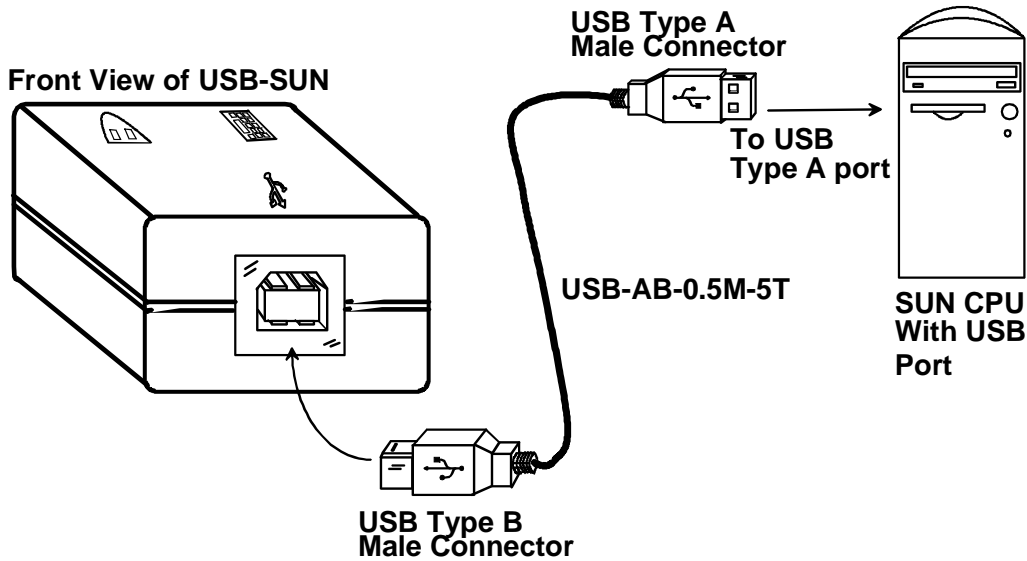


Figure 5- Connect USB-SUN to SUN CPU with USB port

Legacy SUN Keyboard/Mouse to USB SUN Adapter

When using the USB-SUN adapter to connect a SUN Keyboard and/or Mouse to a SUN CPU with a USB port:

1. Connect the 8 pin miniDIN male connector of the SUN keyboard and mouse assembly into the female 8 pin miniDIN port on the USB-SUN adapter.

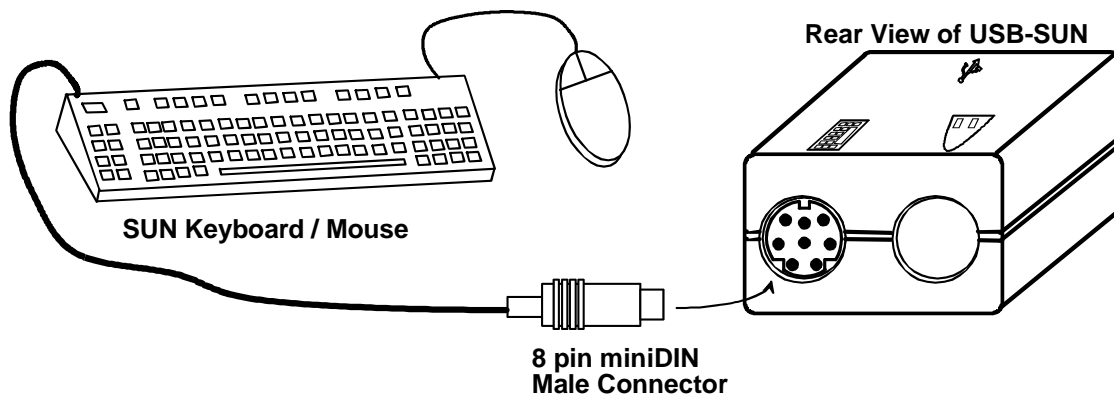


Figure 6- Connect Legacy SUN Keyboard/Mouse to USB-SUN

2. Continue with steps 3 and 4 on page 2.

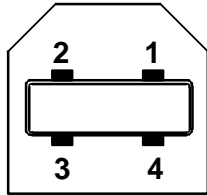
PLEASE NOTE: It is necessary to configure the SUN CPU such that the Sleep Mode is not enabled. If the SUN CPU goes into sleep mode either automatically or manually, the user must reboot the CPU in order to resume use of the CPU.

To disable the Sleep Mode, perform the following steps:

1. Select "Power Manager"
2. Look for "Device Idle Time Before Power Saving Starts"
3. Select "Always ON"
4. Look for "Override Device Idle Time For:"
5. Make sure neither "Monitors " nor "Disks" are selected.

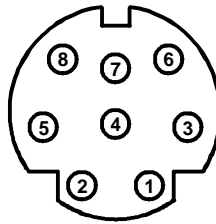
TECHNICAL SPECIFICATIONS

Mating face of a USB Type B Female



PIN #	SIGNAL
1	+VCC
2	- DATA
3	+DATA
4	GND

Mating Face of a 8 pin miniDIN Female



PIN #	SIGNAL
1	GND
2	GND
3	+5
4	MOUSE
5	KYBD RCV
6	KYBD XMT
7	PWRN
8	+5

WARRANTY INFORMATION

The warranty period on this product (parts and labor) is one (1) year from the date of purchase. Please contact Network Technologies Inc at **(800) 742-8324** (800-RGB-TECH) or **(330) 562-7070** or visit our website at <http://www.networktechinc.com> for information regarding repairs and/or returns. A return authorization number is required for all repairs/returns.

PRODUCT

SERIAL NO.: _____

DATE: _____ INSPECTED BY: _____